



Housing/Blade: Thermoplastic PBT, UL 94V-0
 Insulation Resistance: 10M Ω , 500VDC/min between bare wire and frame
 Dielectric Strength: 5mA max, 500VAC/min between bare wire and frame
 Operation Temperature: -10°C-70°C(Humidity 35%-85%RH)
 Storage Temperature: -40°C-85°C(Humidity 35%-85%RH)
 Lead Wire: UL Type #26 AWG
 Weight: 155 g

AC-DC AXIAL FAN
80x80x38mm
(EC Fan)

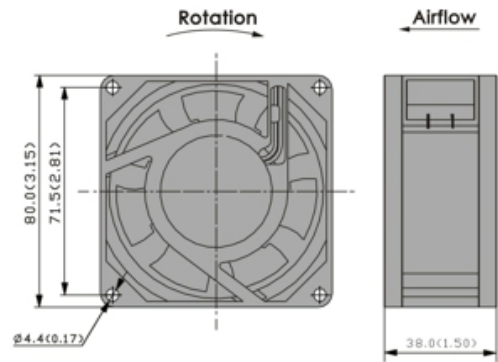
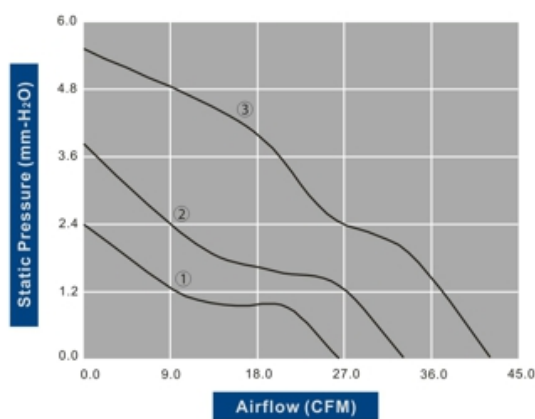


SS

- Energy Efficiency EC Fan
- Electronically Commutated(EC) Motor Technology

Model Number	Voltage (VAC)	Frequency (Hz)	Oper. Volt. (VAC)	AirFlow (CFM)	Stat.Pres. (mm-H ₂ O)	Noise (dBA)	Speed (RPM)	Current (mA)	Power (W)	Available Bearing	Curves
FDA8038B11W3-61	115	60	70~132	26.5	2.4	25.6	2,000	30	1.0	B	①
FDA8038B11W5-61	115	60	70~132	33.8	3.8	31.5	2,500	40	1.5	B	②
FDA8038B11W7-61	115	60	70~132	40.7	5.4	36.4	3,000	50	2.5	B	③
FDA8038B22W3-61	230	50	140~264	26.5	2.4	25.6	2,000	20	1.0	B	①
FDA8038B22W5-61	230	50	140~264	33.8	3.8	31.5	2,500	30	1.5	B	②
FDA8038B22W7-61	230	50	140~264	40.7	5.4	36.4	3,000	40	2.5	B	③

Specifications are subject to change without notice



unit: mm(inch)