

1x1 Port Tab-UP RJ45 Connector
with Integrated Magnetics and LED
for 10/100/1000Base-TX PoE Applications

HR911196A

Electrical Specification @25°C

RoHS Compliant (PB Free)

Meets IEEE 802.3at Standards

Isolation: 1500Vrms 60Hz 0.5mA 1MIN (J1~8 to P1~12)

OCL: 350uH Minimum @100KHz 100mV with 20mADC Lp

Turns Ratio: 1CT:1CT ±5%

Insertion Loss: -1.0dB Typical @1MHz ~ 100MHz

Return Loss: -16dB Typical @30MHz / -12dB Typical @60MHz ~ 80MHz

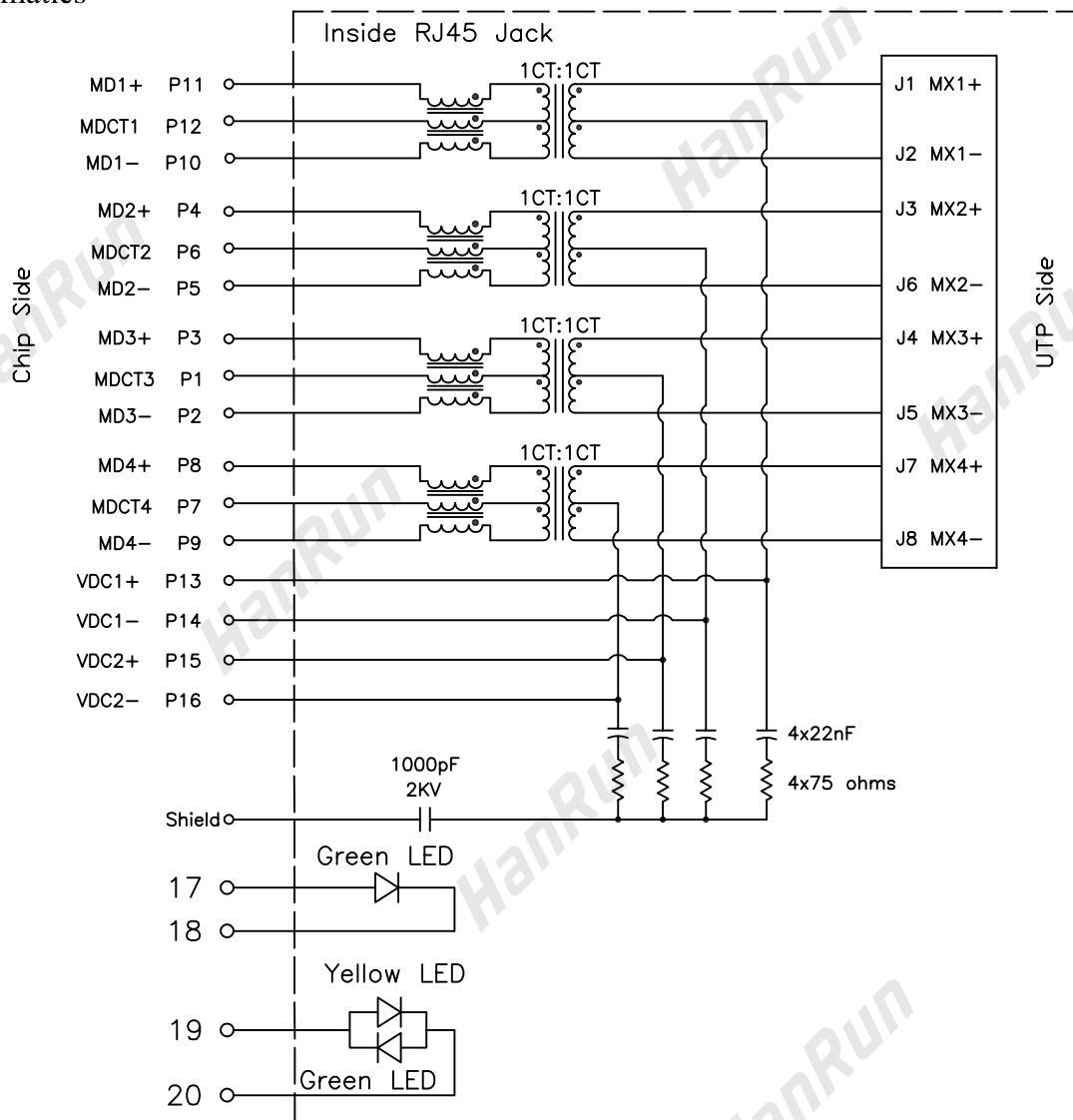
-10dB Typical @100MHz

Common Mode Rejection: -27dB Typical @1MHz ~ 50MHz

-20dB Typical @50MHz ~ 130MHz

Crosstalk: -44dB Typical @30MHz / -37dB Typical @60MHz / -33dB Typical @100MHz

Schematics

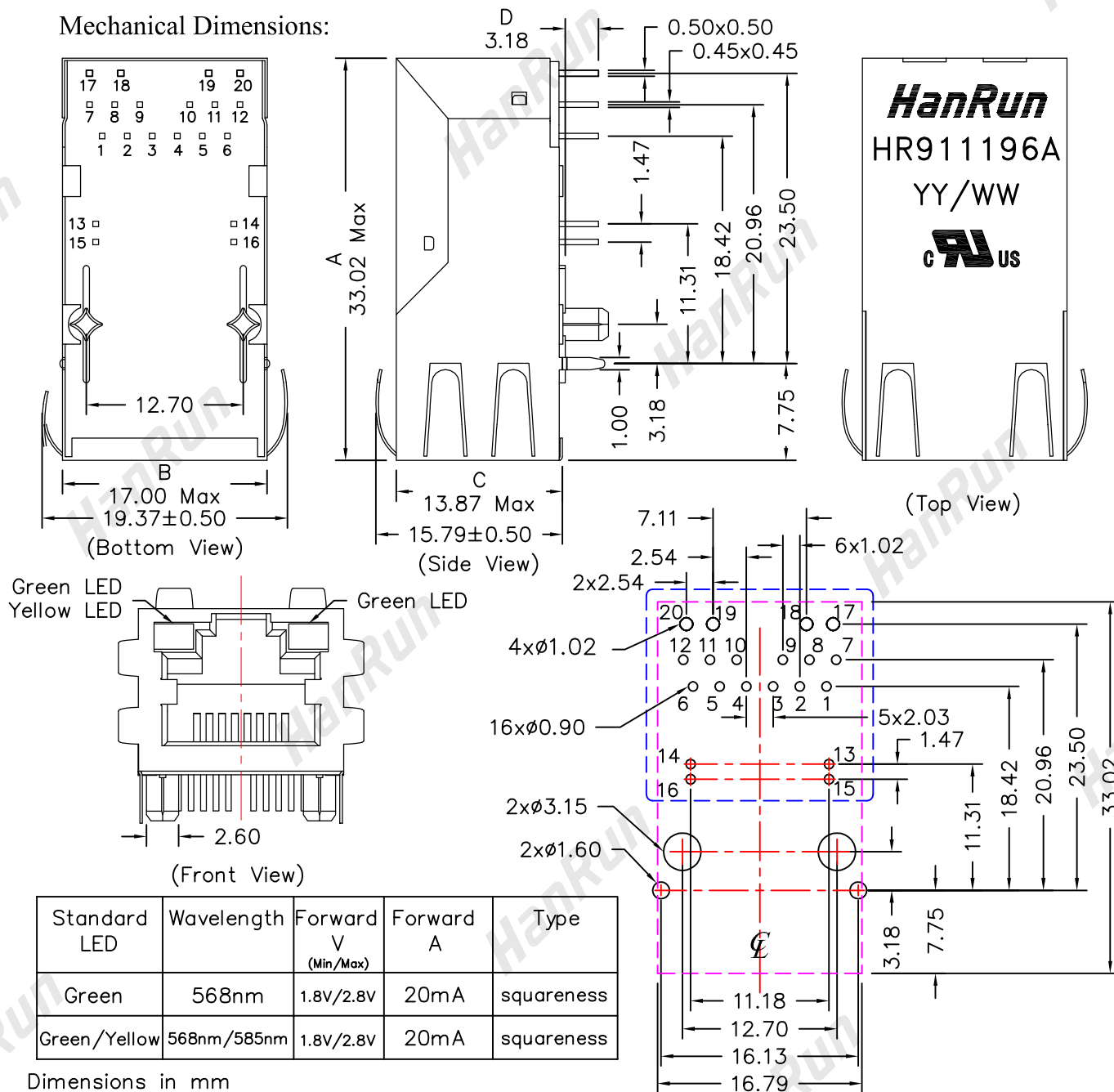


1x1 Port Tab-UP RJ45 Connector
with Integrated Magnetics and LED

HR911196A

- RoHS Compliant (Pb Free)
- Sing port Tab-UP with internal magnetics for 10/100/1000 Base-TX
- Meets or Exceeds IEEE802.3at standards including 350uH Min OCL with 20mADC
- High performance for EMI suppression, Crosstalk, Return Loss and Consistent Electrical
- Minimum 1500Vrms isolation per IEEE802.3 requirement
- UL Recognized Component: File # E330599

Mechanical Dimensions:



Dimensions in mm

Unless otherwise specified, Tolerance: .xx ±0.25 (Mounting Pattern / Comp Side View)

REV.01